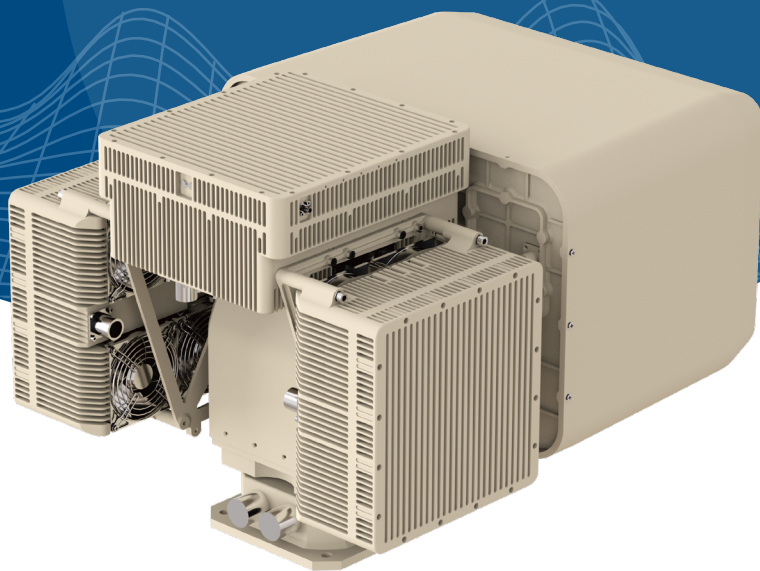


Directional Frequency-writable Jamming Device

R-Shield-500A

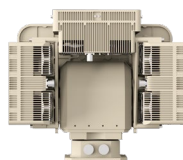
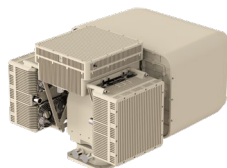
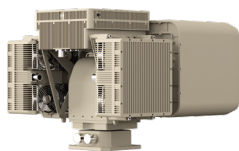


- R-Eye
- **R-Shield**
- R-Warder
- R-Glow
-

The product can be configured to operate in any frequency band within the 300MHz to 6GHz range. Within its coverage area, all UAVs are unable to acquire satellite positioning information. In addition, the control signals and image transmission signals between the UAVs and the ground operator are disrupted, when disruption is triggered, UAV will respond via vertical on the spot landing or return to its starting point.

『 KEY BENEFITS 』

- ▶ Full-frequency Coverage
- ▶ Directional Jamming
- ▶ Narrow Beam Width
- ▶ Adjustable Frequency Bands



『 TECHNICAL SPECIFICATIONS 』

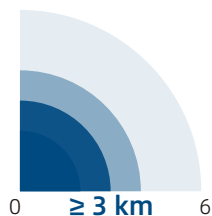
Signal Transmission Power



Interference Response Time



Interference Range



CUSTOMIZABLE

Supported Frequency Bands

300 MHz to 6000MHz

Power Consumption

≤ 1800 W

Operating Temperature

-40°C to 55°C

Weight

≤ 45 kg

『 INDUSTRY APPLICATIONS 』

Security & Counter-terrorism in the Oil & Petrochemical Industry

Security & Counter-terrorism in the Power Industry

Government & Security Agency

Civil Aviation Airport & Logistics Base

Large-Scale Event & Sport Competition

Urban No-Fly Zone Airspace Security

Business & Personal Privacy Protection

More Industry Solutions



MORE

...



Hangzhou Ragine Electronic Technology Development Co., Ltd.

Web: en.hzragine.com

Tel: +86 571 8895 7963

Email: marketing@hzragine.com

* The data in the product specifications on this page may be subject to change.
Please contact your dedicated account manager for the latest product details.

RAGINE